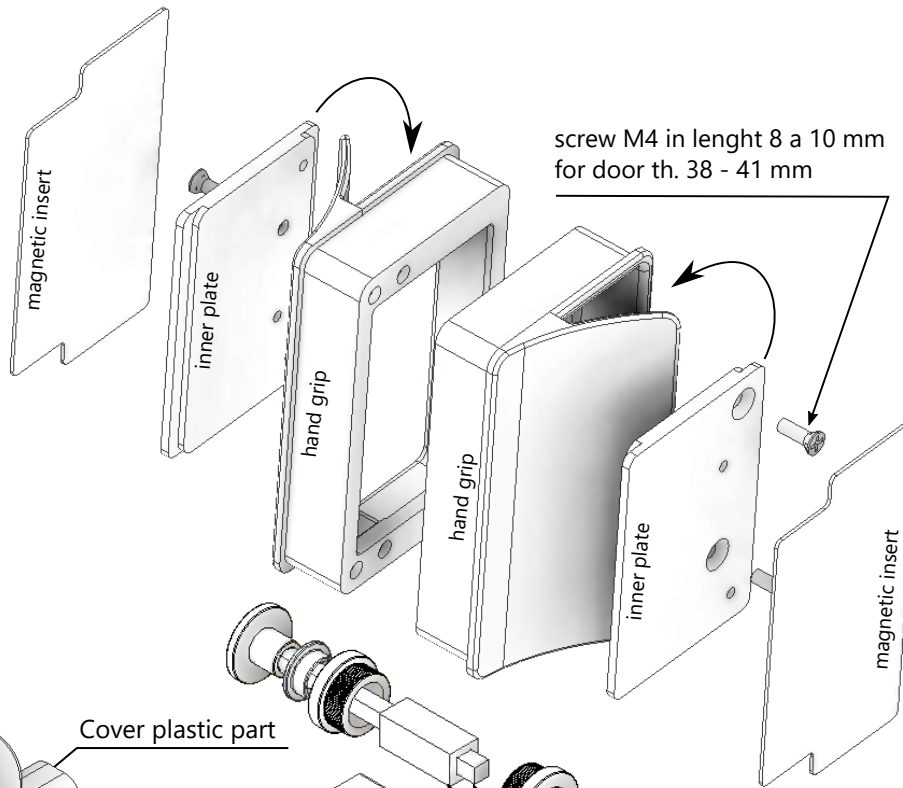
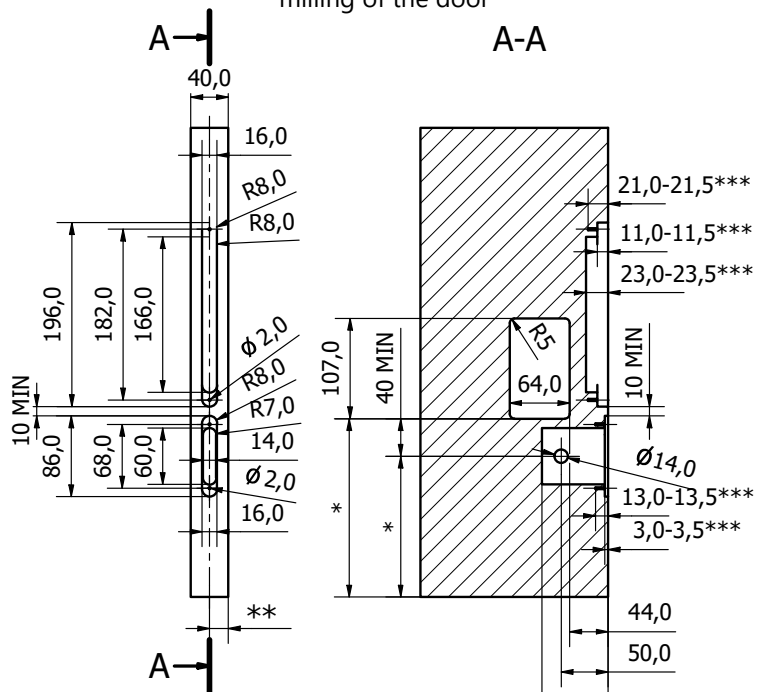


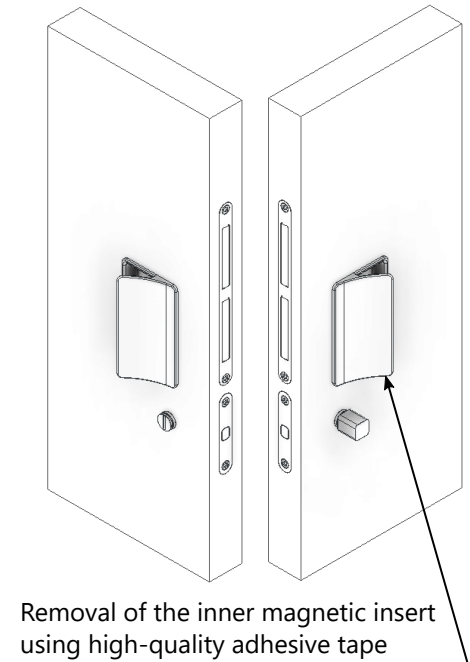
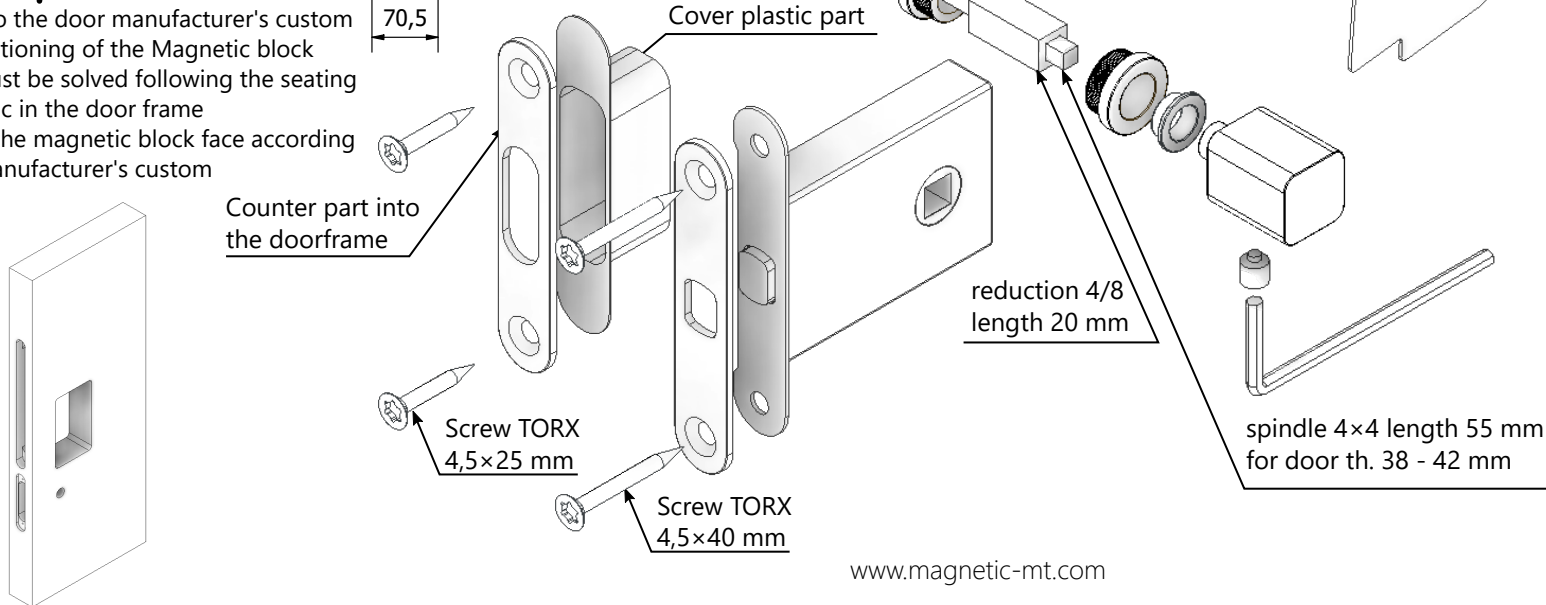
# MOUNTING HAND GRIP KONZERVA 110 WC

milling of the door



component	quantity
hand grip Konzerva 110	2 pcs
inner plate	2 pcs
magnetic insert	2 pcs
screw M4x8 mm	4 cs
screw M4x10 mm	4 pcs
demounting adhesive tape	1 pc

\* according to the door manufacturer's custom  
 \*\* fitting / positioning of the Magnetic block in the door must be solved following the seating of the Magnetic in the door frame  
 \*\*\* placing of the magnetic block face according to the door manufacturer's custom



Removal of the inner magnetic insert using high-quality adhesive tape