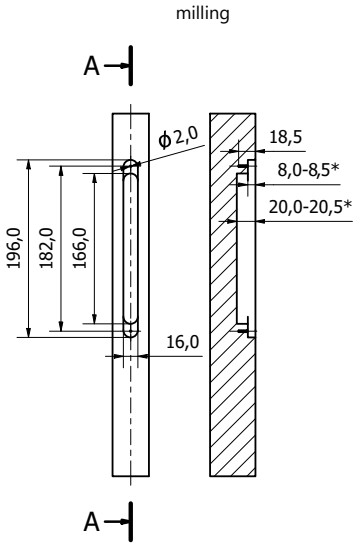
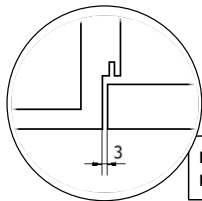


MOUNTING INSTRUCTION MAGNETIC

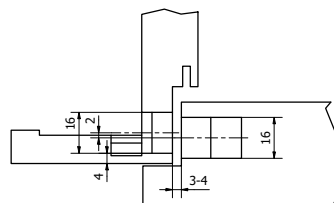
Mounting into door frame



* The visible part of Magnetic is at the same position as the door frame or it can be offset 0.5 mm according to the door manufacturer's custom

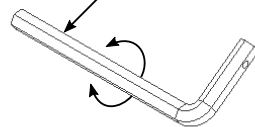


RECOMMENDATION
Minimum space between door leaf and door frame = 3 mm



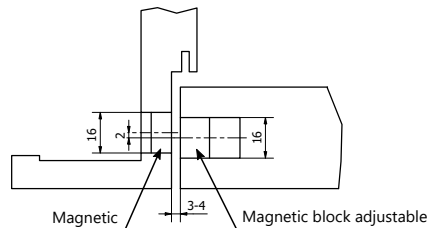
ADJUSTMENT

STEP 1
regulation of magnets for door control
ejecting of magnetic plate
(maximum ejection 3 mm)

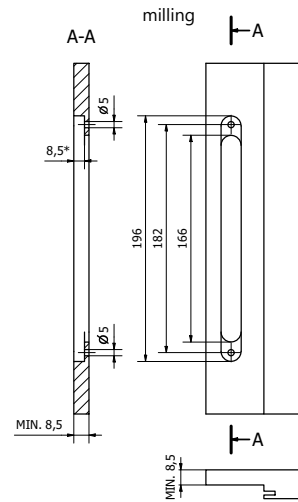


STEP 2
magnetic plate stability
correct setting:
concealed spring cannot be pressed
at both ends of the magnetic plate

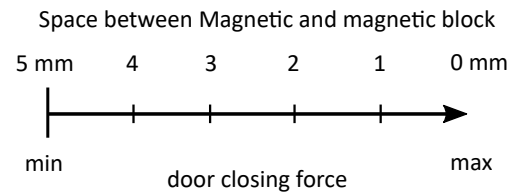
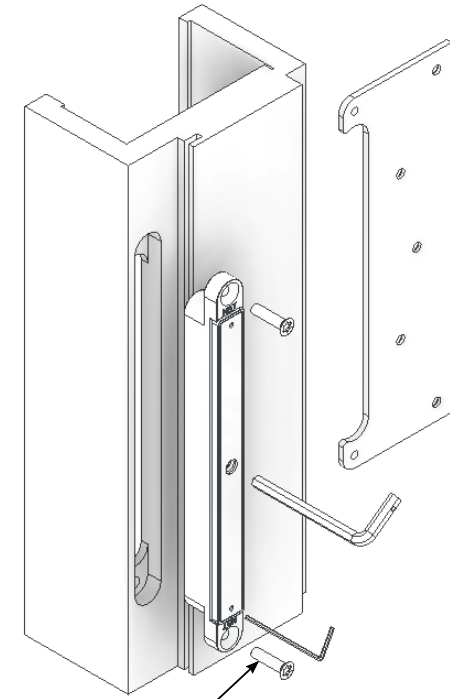
Screw
TORX 4,5×40



Mounting into door clasical frame



Screws
TORX M5×20



component	quantity
Magnetic	1 pc
allen key no. 5	1 pc
allen key no. 1,5	1 pc
screw TORX 4,5×40 mm	2 pcs
screw TORX M5×20 mm	2 pcs