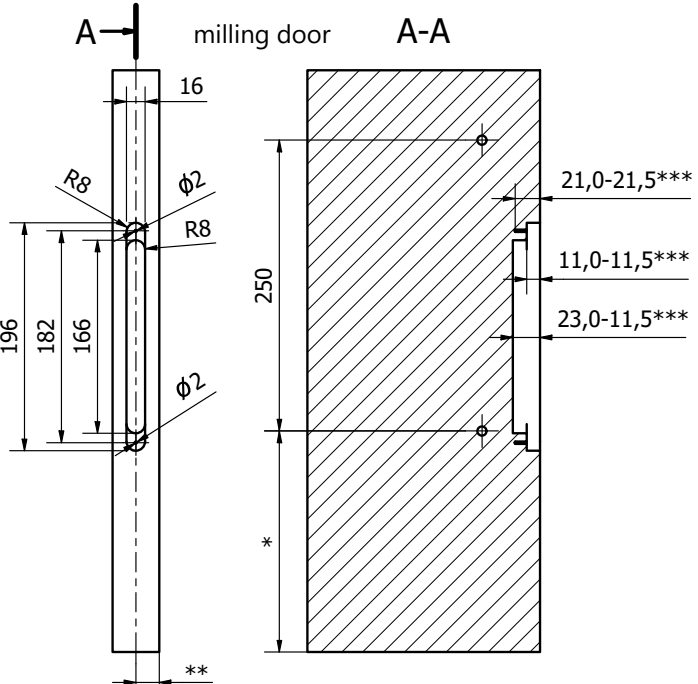
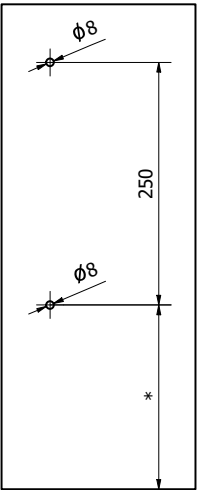




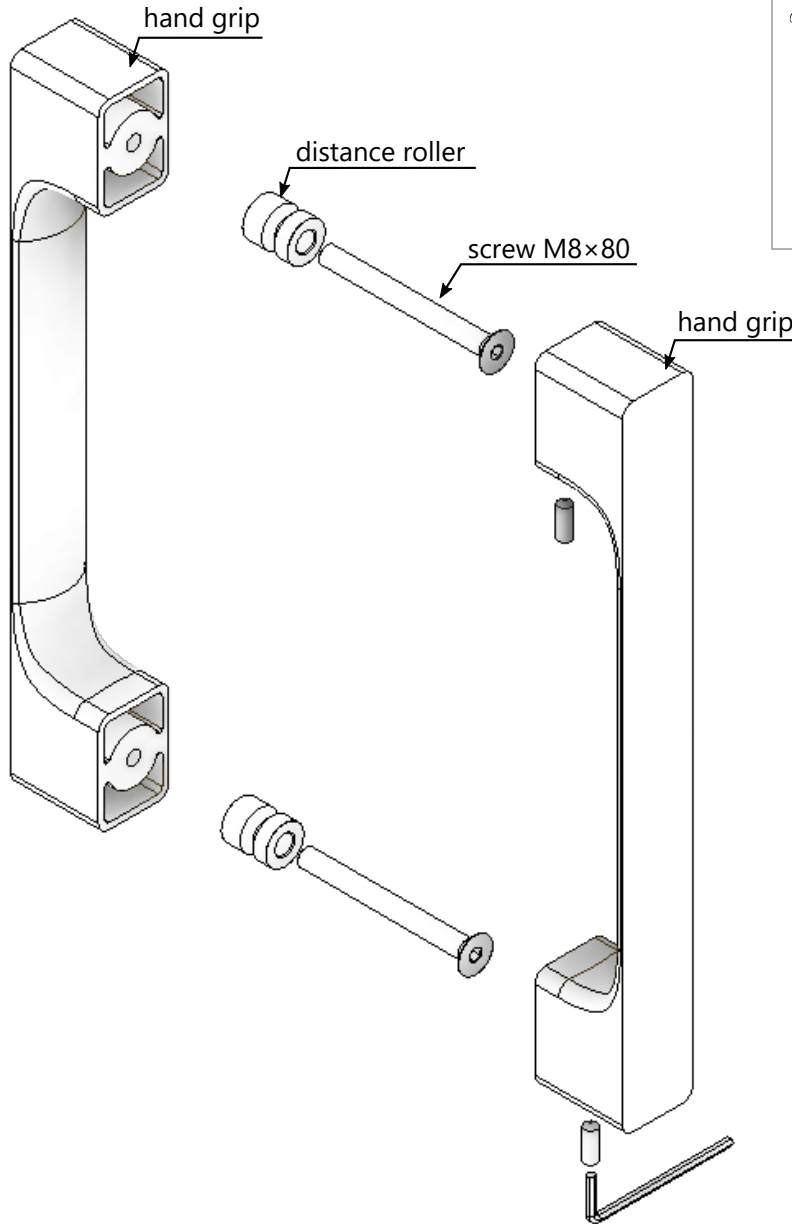
# MOUNTING HAND GRIP MINIMAL/MAXIMAL

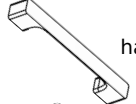






\* according to the door manufacturer's custom  
 \*\* fitting / positioning of the Magnetic block in the door must be solved following the seating of the Magnetic in the doorframe  
 \*\*\* placing of the magnetic block face according to the door manufacturer's custom



www.magnetic-mt.com



component	quantity
 hand grip Minimal/Maximal	2 pcs
 distance roller	2 pcs
 screw M8x80 mm	2 pcs
 set screw M6x8 mm	2 pcs
 allen key 3 mm	1 pc

